

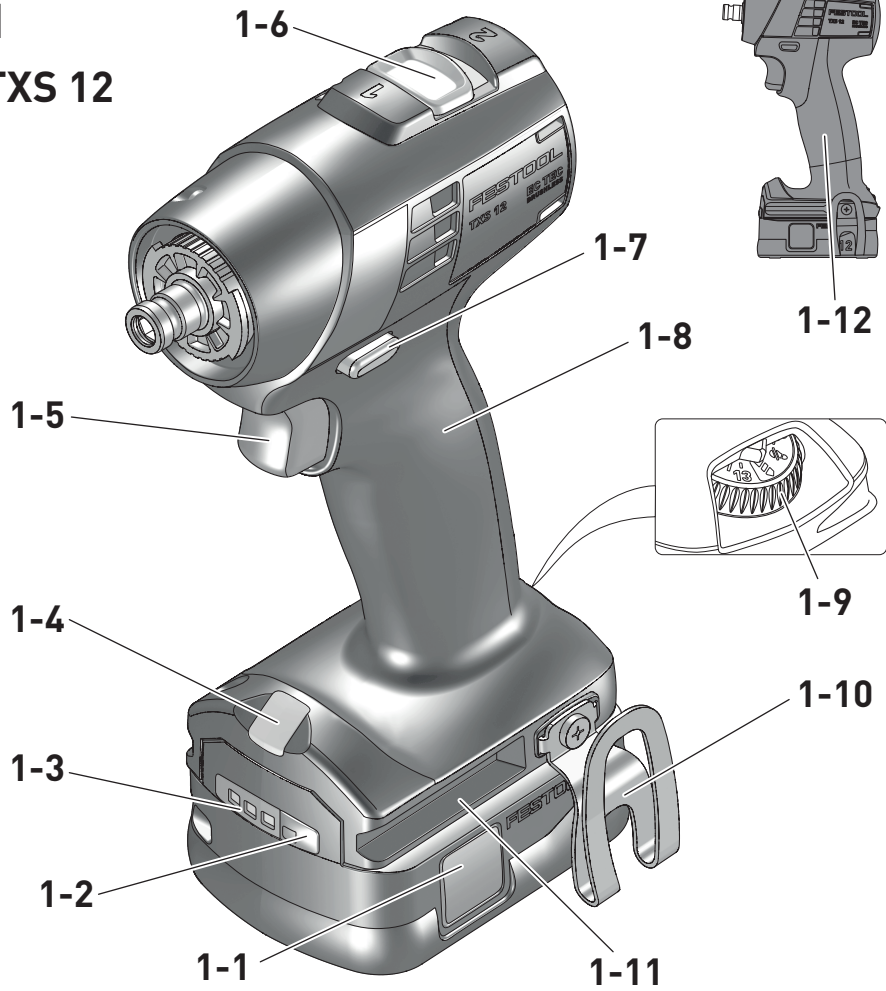
de	Originalbetriebsanleitung - Akku-Bohrschrauber	8
en	Original instructions - Cordless drill	14
fr	Notice d'utilisation d'origine - Perceuses-visseuses sans fil	20
es	Manual de instrucciones original - Taladro atornillador de bateríaschrauber	27
it	Istruzioni per l'uso originali - Trapano avvitatore a batteria	34
nl	Originele gebruiksaanwijzing - Accuschroefboormachine	40
sv	Originalbruksanvisning - Batteri-borr/skruvdragare	46
fi	Alkuperäiset käyttöohjeet - Akkukäyttöinen porakone/ruuvinväännin	52
da	Original brugsanvisning - Akku bore-skruemaskine	58
nb	Originalbruksanvisning - Batteridrevet bor-/skrumaskin	64
pt	Manual de instruções original - Aparafusadora de acumulador	70
cs	Originální návod k použití - Vrtací akušroubovák	77
pl	Oryginalna instrukcja eksploatacji - Akumulatorowa wiertarko-wkrętarka	83

## CXS 12 TXS 12

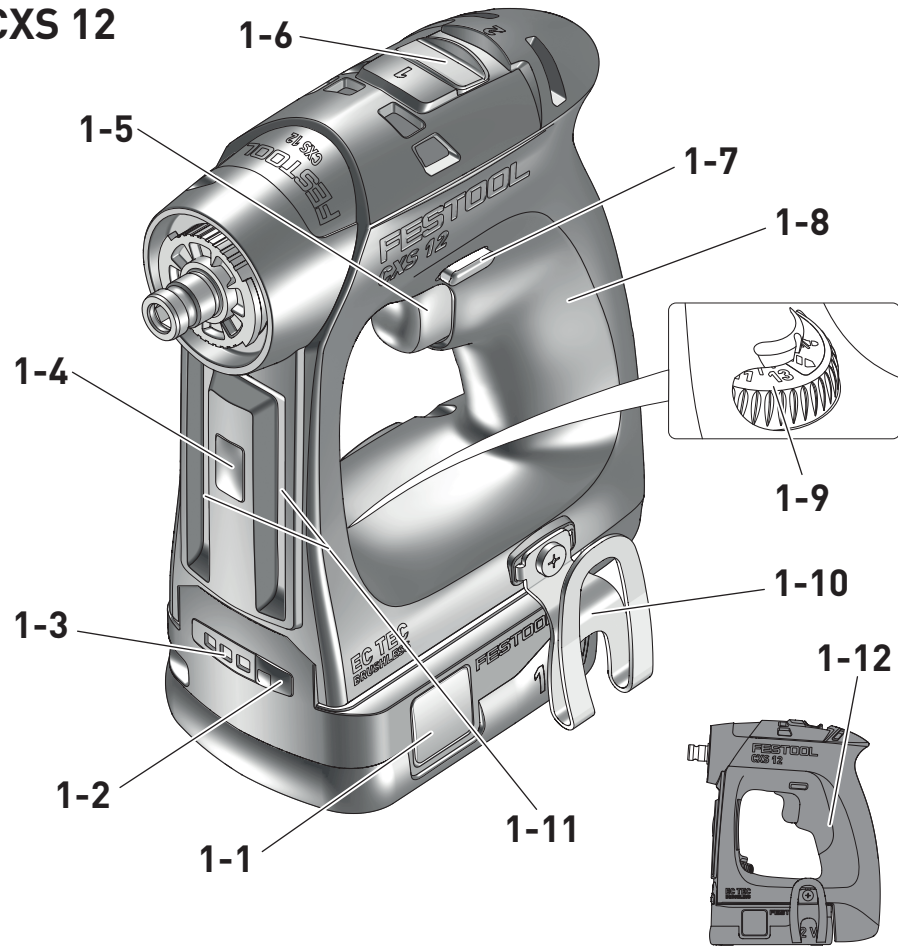


# 1

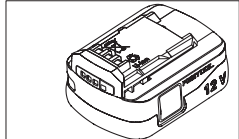
## TXS 12



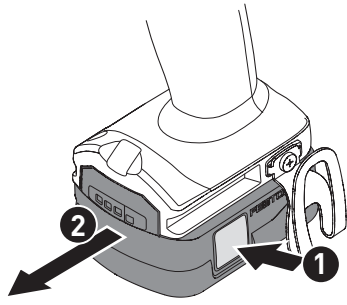
## CXS 12



2A



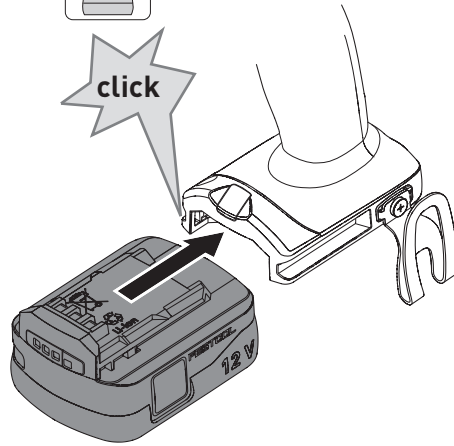
→Festool BP 12



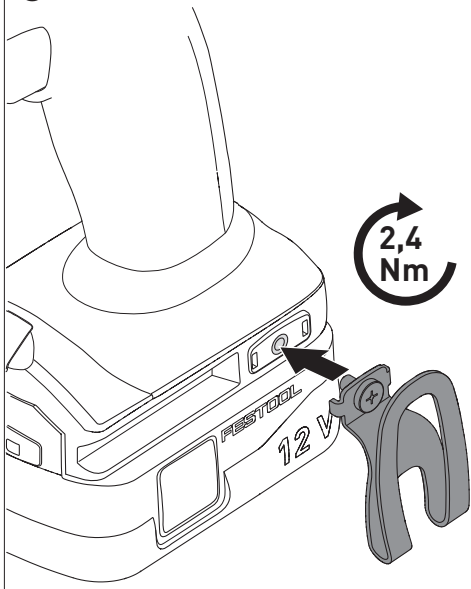
2B



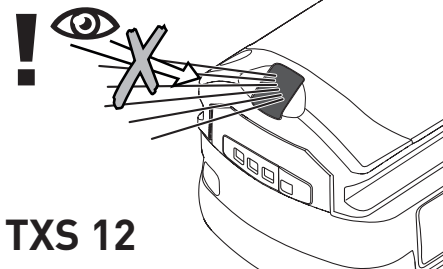
click



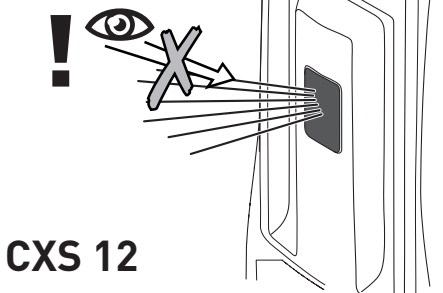
3



4

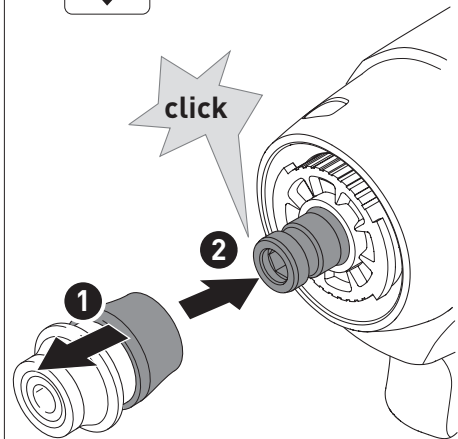


TXS 12

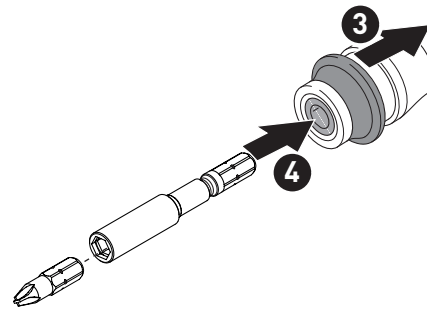


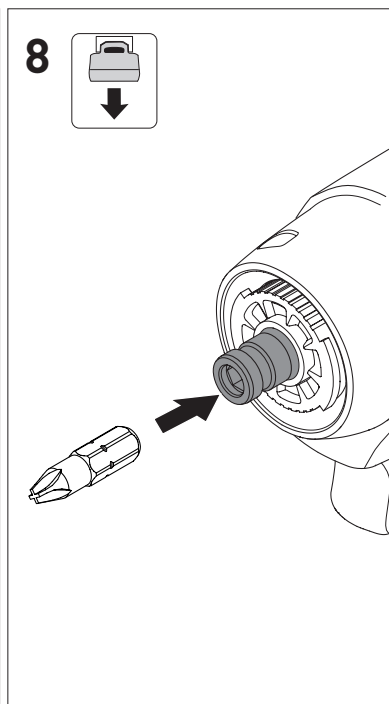
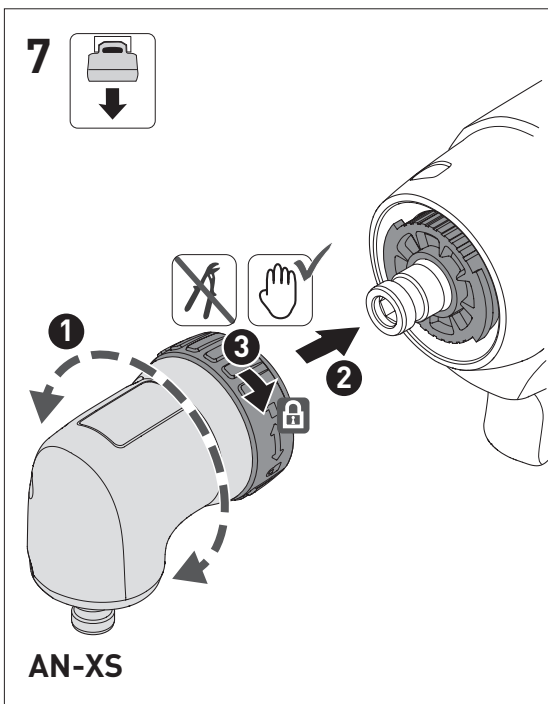
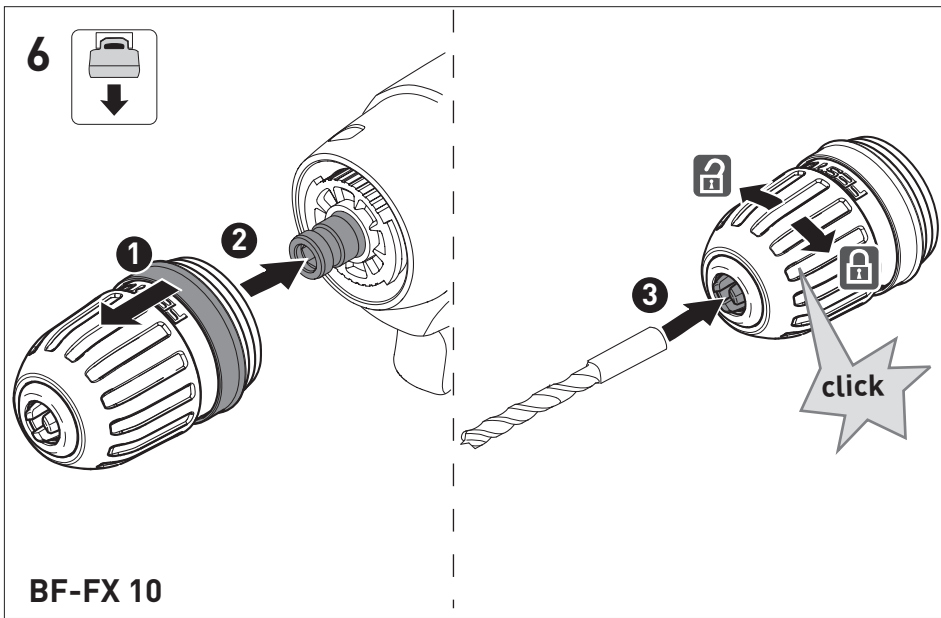
CXS 12

5



WH-CE  
CENTROTEC®





**Cordless drill/ screwdriver****Serial number <sup>1)</sup>  
(T-Nr.)**

CXS 12

10543147

TXS 12

10543148

We as the manufacturer declare under our sole responsibility that the product(s) fulfill(s) all the relevant provisions of the following UK Regulations and are manufactured in accordance with the following designated standards:

---

S.I. 2008/1597

Supply of Machinery [Safety] Regulations 2008

S.I. 2016/1091

Electromagnetic Compatibility Regulations 2016

S.I. 2021/422

Restriction of the Use of Certain Hazardous Substances in Electrical  
and Electronic Equipment Regulations 2021

BS EN 62841-1: 2015 + AC:2015

BS EN 62841-2-1:2018 + A11:2019

BS EN 62841-2-2:2014 + AC:2015

BS EN 55014-1: 2017 + A11:2020

BS EN 55014-2:2015

BS EN IEC 63000:2018



Signed on behalf of and in name of

**Festool GmbH**

Wertstr. 20, 73240 Wendlingen, GERMANY

Place and date of declaration: Wendlingen, 2023-03-15

ppa. 

Markus Stark

Head of Product Development

i.v. 

Christian Bader

Head of Development Functions

<sup>1)</sup> in the specified serial number range (S-Nr.) from 40000000 - 49999999

Akku-Bohrschrauber	Seriennummer *
Cordless drill/screwdriver	Serial number *
Perceuses-visseuses sans fil	N° de série *
	(T-Nr.)
CXS 12	10363209
TXS 12	10363221

**de EU-Konformitätserklärung.** Wir erklären in alleiniger Verantwortung, dass dieses Produkt mit allen relevanten Anforderungen folgender EU-Richtlinien übereinstimmt, und folgende Normen oder normative Dokumente zugrunde gelegt wurden:

**en EU Declaration of Conformity.** We declare under sole responsibility that this product complies with all the relevant requirements in the following EU Directives, and following standards or normative documents were applied:

**fr Déclaration de conformité de l'UE.** Nous déclarons, sous notre seule responsabilité, que ce produit satisfait à toutes les exigences pertinentes des directives UE suivantes et repose sur les normes ou documents normatifs suivants :

**es Declaración UE de conformidad.** Declaramos bajo nuestra responsabilidad que este producto cumple todos los requisitos relevantes de las siguientes directivas de la UE y que se han tomado como base las siguientes normas o documentos normativos:

**it Dichiarazione di conformità UE.** Dichiariamo sotto nostra unica responsabilità che il presente prodotto sia conforme a tutti i requisiti di rilevanza definiti dalle seguenti Direttive UE e che siano stati applicati le seguenti norme o i seguenti documenti normativi:

**nl EU-conformiteitsverklaring.** Wij verklaren en stellen ons ervoor verantwoordelijk dat dit product volledig voldoet aan alle volgende EU-richtlijnen en volgende normen of normatieve documenten daaraan ten grondslag gelegd werden:

**sv EU-försäkran om överensstämmelse.** Vi förklarar på eget ansvar att denna produkt uppfyller alla relevanta krav enligt följande EU-direktiv och baseras på följande normer eller normgivande dokument:

**fi EU-vaatimustenmukaisuusvakuutus.** Vakuutamme yksinomaisella vastuulla, että tämä tuote täyttää seuraavien EU-direktiivien kaikki olennaiset vaatimukset ja se on seuraavien standardien tai standardiasiakirjojen mukainen:

**da EU-overensstemmelseserklæring.** Vi erklærer med eneansvar, at dette produkt er i overensstemmelse med alle relevante krav i følgende EU-direktiver, og at følgende standarder eller normative dokumenter danner grundlag for det:

**nb EU-samsvarserklæring.** Vi erklærer under eneansvar at dette produktet oppfyller alle relevante krav i følgende EU-direktiver og at følgende standarder eller normative dokumenter er blitt lagt til grunn:

**pt Declaração de conformidade UE.** Sob nossa inteira responsabilidade, declaramos que este produto está de acordo com todas as exigências relevantes das seguintes diretivas UE, tendo sido tomadas por base as seguintes normas ou documentos normativos:

**ru Декларация о соответствии ЕС.** Мы со всей ответственностью заявляем, что данная продукция соответствует всем применимым требованиям следующих Директив ЕС, стандартов и нормативных документов:

**cs Prohlášení o shodě EU.** Prohlašujeme s veškerou odpovědností, že tento výrobek splňuje všechny příslušné požadavky následujících směrnic EU a že byly použity následující normy nebo normativní dokumenty:

**pl Deklaracja zgodności UE.** Niniejszym oświadczamy na własną odpowiedzialność, że produkt ten spełnia wszystkie obowiązujące wymogi następujących dyrektyw UE, norm lub dokumentów normatywnych.

2006/42/EC, 2014/30/EU, 2011/65/EU

EN 62841-1: 2015 + AC:2015

EN 62841-2-1:2018 + A11:2019

EN 62841-2-2:2014 + AC:2015

EN 55014-1: 2017 + A11:2020

EN 55014-2:2015

EN IEC 63000:2018



Unterzeichnet für und im Namen von/  
Signed on behalf of and in name of/  
Signé pour et au nom de

**Festool GmbH**

Wertstr. 20, 73240 Wendlingen, GERMANY

Wendlingen, 2023-03-15

ppa.

Markus Stark

Head of Research & Development Products

i.v.

Christian Bader

Head of Development Functions

\* im definierten Seriennummer-Bereich (S-Nr.) von 40000000 - 49999999

in the specified serial number range (S-Nr.) from 40000000 - 49999999

dans la plage de numéro de série (S-Nr.) de 40000000 - 49999999



## Contents

1	Symbols.....	14
2	Safety warnings.....	14
3	Intended use.....	16
4	Technical data.....	16
5	Parts of the device.....	16
6	Battery pack.....	17
7	Commissioning.....	17
8	Settings.....	17
9	Tool holder, attachments.....	17
10	Working with the electric power tool.....	18
11	Warning signals.....	18
12	Service and maintenance.....	19
13	Environment.....	19
14	General information.....	19

## 1 Symbols



Warning of general danger



Warning of electric shock



Read the operating manual and safety warnings.



Wear ear protection.



Wear a dust mask.



Wear protective goggles.



Wear protective gloves when changing tools!



Inserting the battery pack.



Remove the battery pack.



Only assemble by hand!



Do not dispose of it with domestic waste.



CE marking: Confirms the conformity of the power tool with the European Community directives.



Tip or advice

▶ Handling instruction



UKCA marking: Confirms the conformity of the product with UK regulations.

## 2 Safety warnings

### 2.1 General power tool safety warnings



**WARNING! Read all safety warnings, instructions, illustrations and specifications provided with this power tool.** Failure to follow all instructions listed below may result in electric shock, fire and/or serious injury.

**Save all warnings and instructions for future reference.**

The term "power tool" in the warnings refers to your mains-operated (corded) power tool or battery-operated (cordless) power tool.

**Follow the operating manual for the charger and the battery pack.**

### 2.2 Machine-specific safety notices

- **Hold the power tool by insulated gripping surfaces, when performing an operation where the cutting accessory or fasteners may contact hidden wiring.** Cutting accessory contacting a "live" wire may make exposed metal parts of the power tool "live" and could give the operator an electric shock.
- **Use appropriate detection devices to look for any hidden supply lines or consult your local utility company.** If the insertion tool makes contact with live cables, it can result in fire and electric shock. Damage to a gas pipe can lead to an explosion. Penetration of a water pipe can result in damage to property.
- **Keep the power tool away from magnetic fields.** The power tool may switch on unexpectedly and cause injury.




- **Wear suitable personal protective equipment:** Ear protection, safety goggles, a dust mask for work that generates dust.



**CAUTION! Power tool can jam and cause sudden kickback!** Switch off immediately!

- **Firmly hold the power tool with one hand on the handle [1-8] and keep the other hand away from the hazard area. Make sure the speed is adjusted correctly when screwdriving. Be prepared for a high reac-**

**tion torque**, which may cause the power tool to turn and lead to injury.

- **Do not use the power tool in the rain or in damp surroundings.** Moisture in the power tool may cause a short circuit and fire.
- **Wait until the power tool has come to a complete halt before placing it down.** The insertion tool can get caught and lead to a loss of control of the power tool.
- **Avoid unintentional activation.** Carrying the electric power tool with your fingers on the on/off switch can lead to accidents. When you are not using the power tool, set the switch for the transport lock [1-7] to the centre position.
- Do not manipulate or block controls, e.g. the on/off switch.
- **Do not use power supply units to operate cordless power tools. Only use the intended battery packs. Do not use third-party chargers to charge the battery packs.** The use of accessories not expressly authorised by the manufacturer can result in electric shocks and/or serious accidents.
-  **Warning of harmful light radiation. Do not look into the light beam for long periods. Do not direct the light beam towards other people or animals.** Optical radiation can damage the eyes – [4].
- Use a dust extractor when working with dust.
- **Do not use any insertion tools or accessories that the manufacturer has not specially designed or recommended for this power tool.** Just because you can attach accessories or insertion tools to your power tool does not guarantee that they can be used safely. This may increase the risk of injury, accelerate the wear on the power tool and decrease the quality of the working results.
- **Depending on the type and use of the accessory, particles, the insertion tool or parts of the insertion tool could come loose. This can lead to increased exposure to dust and to unexpected movements.** Wear suitable personal protective equipment. Be prepared for a high reaction torque, which may cause the power tool to turn and lead to injury.

## 2.3 Safety instructions when using long drill bits

- **Never operate at higher speed than the maximum speed rating of the drill bit.** At higher speeds, the bit is likely to bend if allowed to rotate freely without contacting the workpiece, resulting in personal injury.
- **Always start drilling at low speed and with the bit tip in contact with the workpiece.** At higher speeds, the bit is likely to bend if allowed to rotate freely without contacting the workpiece, resulting in personal injury.
- **Apply pressure only in direct line with the bit and do not apply excessive pressure.** Bits can bend causing breakage or loss of control, resulting in personal injury.

## 2.4 Emission levels

The levels determined in accordance with EN 62841 are typically:

Sound pressure level	$L_{PA} = 75 \text{ dB(A)}$
Sound power level	$L_{WA} = 86 \text{ dB(A)}$
Uncertainty	$K = 5 \text{ dB}$



### CAUTION

**Noise generated when working**  
**Risk of damage to hearing**

- ▶ Always use ear protection.

Vibration emission level  $a_h$  (vector sum for three directions) and uncertainty K measured in accordance with EN 62841:

$$a_h < 2.5 \text{ m/s}^2$$

$$K = 1.5 \text{ m/s}^2$$

The specified emission levels (vibration, noise)

- are used to compare machines.
- They are also used for making preliminary estimates regarding vibration and noise load during operation.
- They represent the primary applications of the power tool.



**CAUTION**

**The emission values may deviate from the specified values. This is dependent on how the tool is used and the type of workpiece being machined.**

- ▶ Assess the actual load during the entire operating cycle.
- ▶ Depending on the actual load, suitable protective measures must be defined in order to protect the operator.

**3 Intended use**

Cordless drill suitable

- for drilling in metal, wood, plastics and similar materials,
- for screwing in and tightening screws.
- for use with the Festool battery pack BP 12.



The user is liable for damage and accidents caused by improper and non-intended use; this also includes damage and wear caused by continuous industrial operation.

**4 Technical data**

<b>Cordless drill</b>		<b>CXS 12, TXS 12</b>
Motor voltage		10.8 V $\overline{=}$
No-load speed*	1st gear	0–470 rpm
	2nd gear	0–1600 rpm
Max. torque	Soft material (wood)	17 Nm
	Hard material (metal)	30 Nm
Adjustable torque**	1st gear	1.1–8 Nm
	2nd gear	0.4–2.3 Nm
Chuck clamping range		1.0–10 mm***
Max. drill diameter	Wood	35 mm
	Metal	10 mm
Screwdriving in spruce	Max. dia.	6 mm
Tool holder in drill spindle		1/4"
Weight with chuck and belt clip, without battery pack.		0.9 kg

\* Speed values based on fully charged battery pack.

\*\* The maximum speed (value for clockwise rotation) is reduced in the lower torque settings.

\*\*\* Values refer to chuck clamping range included in delivery. Festool 13 mm chucks can also be used.

**5 Parts of the device**

**[1-1]** Buttons for releasing the battery pack

**[1-2]** Capacity indicator button on battery pack

**[1-3]** Capacity indicator

**[1-4]** LED light

**[1-5]** On/off switch

**[1-6]** Gear switch

**[1-7]** Rotational direction switch and safety lock/transport lock

**[1-8]** Handle

**[1-9]** Thumbwheel for torque/drilling/lighting duration on and duration off

**[1-10]** Belt clip

**[1-11]** Bit store

**[1-12]** Insulated gripping surfaces (grey shaded area)

Accessories shown or described are not always included in the scope of delivery.


The specified illustrations appear at the beginning of the Operating Instructions.


## 6 Battery pack

Before using the battery pack, check that the battery interface is clean. Any contamination of the battery interface may impair correct contact and lead to the contacts being damaged.

A faulty contact may result in the machine overheating or being damaged.

**[2A]** Remove the battery pack.

**[2B]**  Insert the battery pack – until it clicks into place.

 Further information about the charger and battery pack with capacity indicator can be found in the corresponding operating manual.

## 7 Commissioning



### CAUTION

#### Risk of injury


- ▶ Only assemble when the power tool is switched off!

### 7.1 Belt clip [1-10]

The belt clip allows the power tool to be attached to work attire for brief periods. It can be attached to the right or left of the power tool using a screw **[3]**.

### 7.2 Switching on/off [1-5]

Press = ON, release = OFF

 The speed can be continuously adjusted, relative to the pressure applied to the on/off switch.

Set the rotational direction switch **[1-7]** to the centre position to lock the on/off switch.

The LED light **[1-4]** lights up when the on/off switch **[1-5]** is pressed, see section [8.4](#).

## 8 Settings



### CAUTION

#### Risk of injury

- ▶ Only adjust the settings when the power tool is switched off.

### 8.1 Changing direction of rotation [1-7]

- Switch to the left = clockwise rotation
- Switch to the right = counterclockwise rotation


## 8.2 Changing gear



The gear switch **[1-6]** can be used to switch the gear unit when the power tool is switched off.

## 8.3 Adjusting the torque [1-9]

### Screwdriving


- ▶ Adjust the torque on the thumbwheel **[1-9]**.
- ▶ Carry out a test of the torque in a piece of the same material.
- ▶ Always check the working result.

 Position 1 = low torque  
Position 13 = high torque

 If the temperature of the power tool is under 0 °C, the torque shut-off values may deviate. Leave the power tool idling (thumbwheel on drill symbol ) until it has warmed up.

A **signal** sounds when the set torque is reached and the power tool switches off. The power tool only starts up again if the on/off switch **[1-5]** is released and pressed again.

### Drilling

Marking shows the drill symbol  = maximum torque.

## 8.4 Adjust lighting [1-9]

Configure lighting at the thumbwheel **[1-9]**.

**Marking shows position 1 to 13 or drill symbol .** The LED light **[1-4]** automatically switches on and off with the power tool. The LED light has an afterglow for a short time after the tool has been switched off.

The LED light has an afterglow for a short time after the tool has been switched off.



**Marking shows lighting duration on/maximum torque.** Briefly apply pressure on the on/off switch **[1-5]** to permanently switch the LED light on. After ten minutes, the LED light automatically switches off.



**Marking shows lighting duration off/maximum torque.** The LED light is permanently switched off.

## 9 Tool holder, attachments



### WARNING

#### Risk of injury

- ▶ Remove the battery pack from the power tool before performing any work on the power tool.



## CAUTION

### Risk of injury from hot and sharp insertion tool

- ▶ Do not use any blunt or faulty insertion tools.
- ▶ Wear protective gloves when handling an insertion tool.

**i** **Prior to initial use:** Apply some multipurpose grease to the drill spindle.

### 9.1 CENTROTEC tool chuck [5]

Fast changeover of tools with CENTROTEC shaft.

**WARNING!** Only clamp CENTROTEC tools in CENTROTEC tool chucks.



Wear gloves when replacing tools.

### 9.2 Chuck [6]

For clamping drill bits and bits with a max. shaft diameter of 10 mm.

**WARNING!** Clamp the tool centrally in the chuck.

### 9.3 Angle attachment [7]

Drilling and screwdriving at right angles to the power tool (available as an accessory depending on the model).

### 9.4 Tool holder in the drill spindle [8]

Bits can be inserted directly into the hexagon socket holder of the drill spindle.

## 10 Working with the electric power tool



## WARNING

### Risk of injury

- ▶ Only position the power tool on the screw when it is switched off.
- ▶ Always secure the workpiece in such a manner that it cannot move during machining.
- ▶ Keep hands away from the rotating tools.



## CAUTION

### Risk of burns

**The tool holder and tool may become very hot during operation.**

- ▶ Allow them to cool down before attaching them to the belt clip.

### 10.1 Bit store [1-11]



## CAUTION




**Risk of injury from metal cuttings in the bit store.**

- ▶ Clean the bit store regularly and clear out metal cuttings.

Magnetic, for storing bits and bit holders.

## 11 Warning signals

Warning signals occur and the power tool switches off in the following operating states:

Signal	Cause	Action
Beeps once. 	Battery pack empty/incompatible.	Charge/change the battery pack.
	Power tool overloaded.	Reduce the load on the power tool.
	When pressing the on/off switch: Power tool has overheated.	Once it has cooled down, restart the power tool.
Beeps twice. 	Preset torque reached.	-
Beeps continuously. 	The power tool is faulty.	Contact the manufacturer to rectify the fault.

## 12 Service and maintenance



### WARNING

#### Risk of injury, electric shock

- ▶ Always remove the battery pack from the power tool before performing any maintenance or service work.
- ▶ All maintenance and repair work which requires the motor housing to be opened should always be carried out by an authorised service workshop.



**Customer service and repairs** must only be carried out by the manufacturer or service workshops. Find the nearest address at:

[www.festool.co.uk/service](http://www.festool.co.uk/service)



Always use original Festool spare parts. Order no. at:

[www.festool.co.uk/service](http://www.festool.co.uk/service)

To ensure constant air circulation, always keep the cooling air openings in the motor housing clean and free of blockages.

Keep the contacts on the power tool, charger and battery pack clean.

## 13 Environment



**Do not dispose of the device in the household waste!** Recycle devices, accessories and packaging. Observe applicable national regulations.

Before disposal, users must remove discharged batteries, accumulators that are not enclosed by the device and lights that can be removed from the old device without causing damage, if these are present. The old batteries and rechargeable batteries can then be recycled systematically.

In accordance with the European Directive on waste electrical and electronic equipment and implementation in national law, used power tools must be collected separately and handed in for environmentally friendly recycling.

Information on collection points for proper disposal can be found at [www.festool.co.uk/recycling](http://www.festool.co.uk/recycling).

**Information on REACH:** [www.festool.co.uk/reach](http://www.festool.co.uk/reach)

## 14 General information

### Imported into the UK by

Festool UK Ltd  
1 Anglo Saxon Way  
Bury St Edmunds  
IP30 9XH  
Great Britain